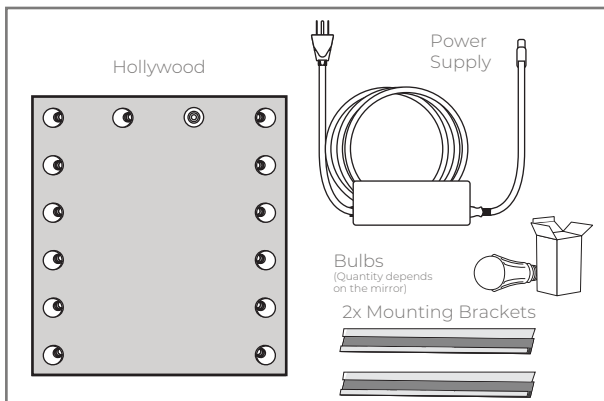
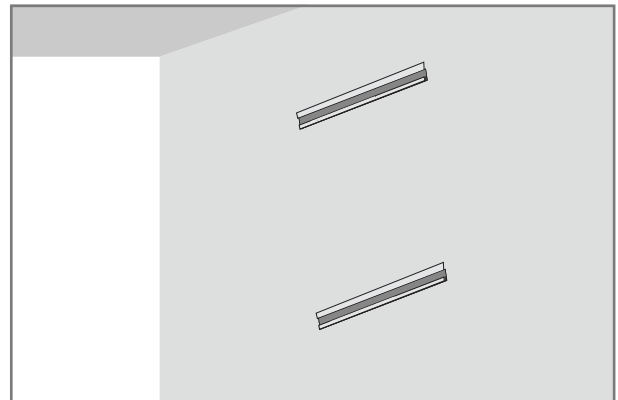


Installation Manual



1 Check the items after receiving.

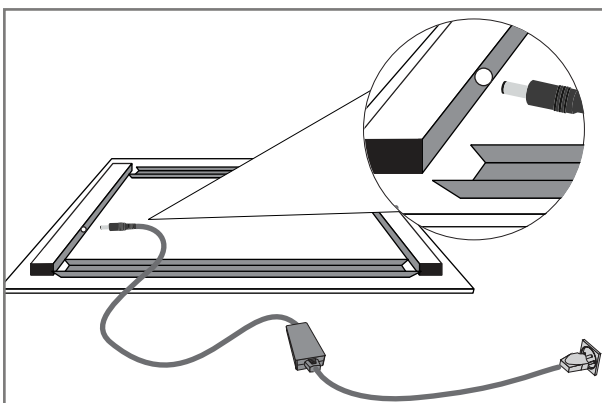
Before installing, check to ensure that you have received all the package contents.



2 Screw the two brackets to the wall.

Ensure the wall is correctly prepared for installation. Determine the type of screws or bolts needed for the wall surface you are mounting to. Drill holes into the brackets and screw them to the wall.

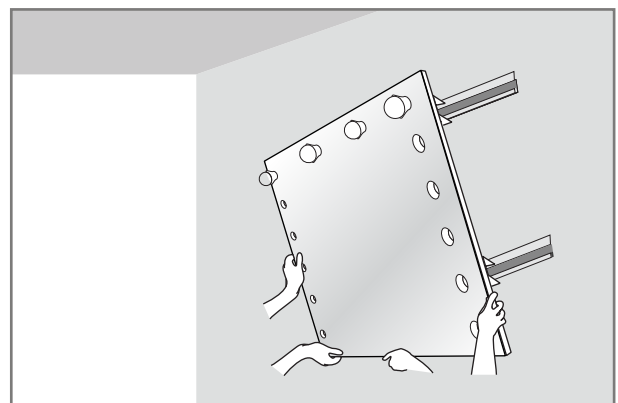
(Note: It is the installer's responsibility that all electrical, audio/visual, and framing construction is code compliant.)



3 Plug in ready to use.

Lay the Grand Mirrors Hollywood Mirror flat on a padded surface to connect the cable to the ports. Install a couple of bulbs and test the power source. Then lift the mirror up.

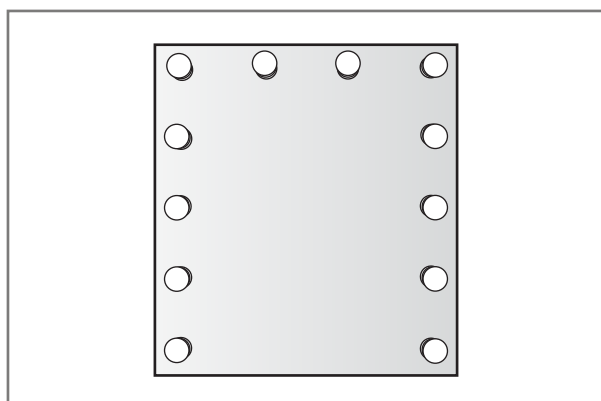
(Note: Please make sure that the mirror glass is protected during the execution of this step.)



4 Hang the mirror up.

Carefully lift the Grand Mirrors Hollywood and securely engage the mounting brackets on the back of the mirror to the brackets installed on the wall.

(Note: It is recommended that 3 or more people assist in the installation of this mirror.)



5 Finished.

Enjoy your new Grand Mirrors Hollywood.